



BATTIPAV™

MACCHINE PER EDILIZIA | MACHINES FOR BUILDING

LEGGERA

PROFESSIONAL MANUAL TILE CUTTER

ESSENTIAL LOOK

Its naked look preserves everything you need to cut with top accuracy.

PACKAGING

Multilingual flexographed packaging.

TRANSPORT

Very easy to carry, also with the soft case (optional)

	Art. 61300E	Art. 6900E	Art. 6750E	Art. 6601E	Art. 6401E
CUTTING LENGTH	1370 mm	920 mm	780 mm	670 mm	490 mm
MAX SIZE TILE FOR DIAGONAL CUTS	965x965 mm	650x650 mm	550x550 mm	470x470 mm	345x345 mm
CUTTING THICKNESS	5 - 15 mm				
CUTTING WHEEL	Ø 15 x 6 x 1,5 mm				
PACKING DIMENSION	1704x295 x h 280 mm	1260x295 x h 280 mm	1114x295 x h 280 mm	1004x295 x h 280 mm	830x295 x h 280 mm
PIECES ON PALLET	14	21		28	
PALLET DIMENSION	72x175x208 cm	90x120x206 cm	90x127x206 cm	100x120x208 cm	82x120x208 cm
NET WEIGHT	12,6 Kg	9,6 Kg	8,7 Kg	6,6 Kg	5,6 Kg



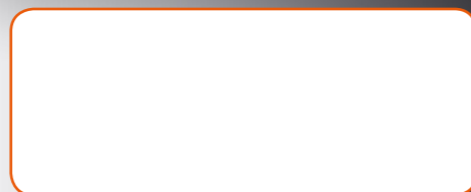
Art. K25



BATTIPAV™
MACCHINE PER EDILIZIA | MACHINES FOR BUILDING

Z. i. 2 - Via Cavatorta, 6/1 | 48033 Cotignola (Ra) | ITALY
Tel. +39 0545 40004 | Fax +39 0545 41724
www.battipav.com | sales@battipav.com

AUTHORIZED DEALER:



October 2018

APPLICATION

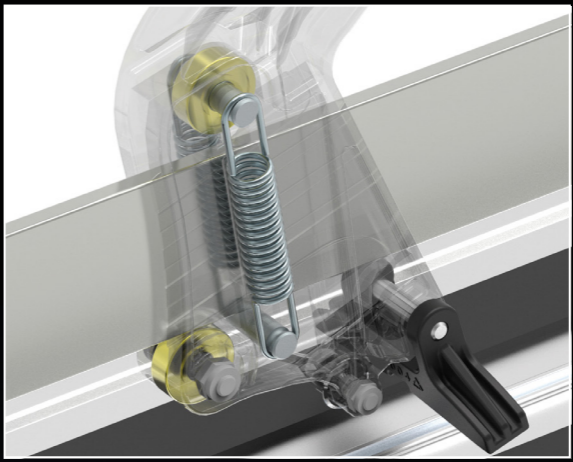
Built to cut single-double fired ceramic and porcelain stoneware tiles



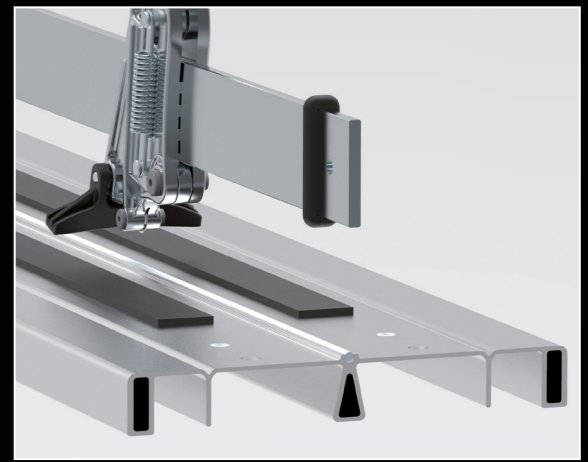
QUICK START SYSTEM
The carriage is provided with springs that makes the handle always ready to cut.



ACCURACY AND LIGHTNESS



CARRIAGE
The carriage in aluminium is equipped with two ball-bearings for a perfect sliding and top precision.



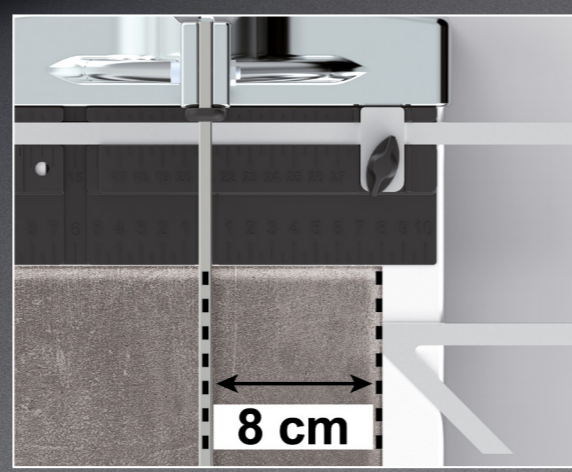
STRUCTURE
Strong body made in aluminium draw-plate to get rigidity and lightness at the same time.

PUSHING CUTTING SYSTEM

ADJUSTABLE SUPPORT FOR MULTI-CUTS



**100%
ALUMINIUM**



STRAIGHT CUTS
Square ruler with direct reading for **straight cuts**.



DIAGONAL CUTS
Square ruler with direct reading for **diagonal cuts**.